

NOTES:

|     |       |                      |        |             |
|-----|-------|----------------------|--------|-------------|
| 16  | ISSD6 | N                    | BY6AP6 | DRAWN BY:   |
| 15  | ISSD5 | N                    | BY5AP5 | PEX         |
| 14  | ISSD4 | N                    | BY4AP4 | CHECKED BY: |
| 13  | ISSD3 | N                    | BY3AP3 | CSV         |
| 12  | ISSD2 | N                    | BY2AP2 | MATERIAL:   |
| 11  | 01/99 | HEATERFUSE           | BY CV  | CWM         |
| ISS | DATE  | DESCRIPTION OF ISSUE | BY APP |             |

|          |    |
|----------|----|
| DEPT.    | DP |
| BLDG NO  | 3  |
| DWG LIST |    |
| SCALE:   | /  |

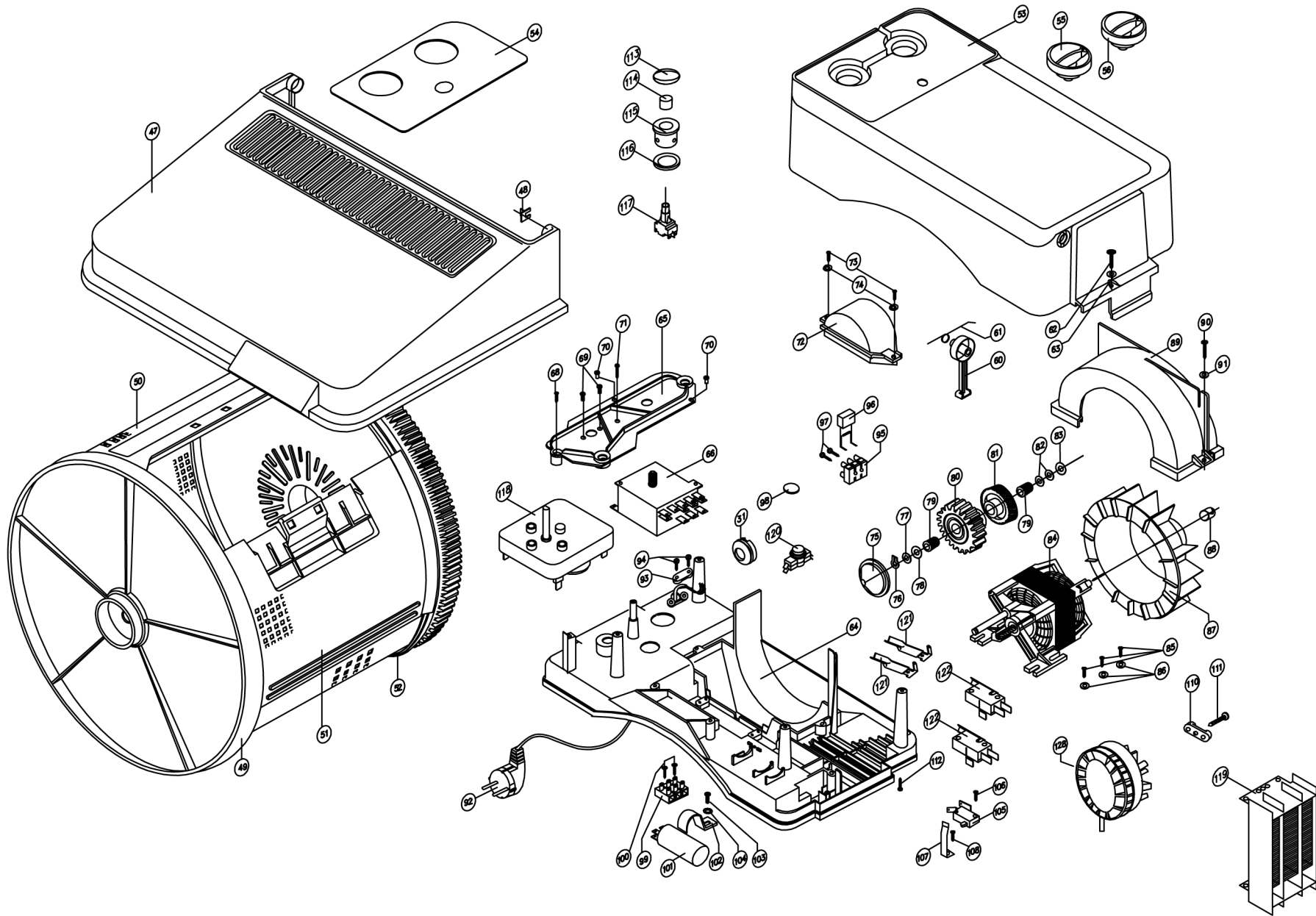
CARAD

TITLE  
MB40  
DRUM+BACK

DRAWING NUMBER  
SPMB40A

FILE NAME  
SPMB40A

|         |           |
|---------|-----------|
| SIZE: S | ISSUE: 02 |
| SHT: S  | VER       |



NOTES:

|     |       |                      |        |                    |             |
|-----|-------|----------------------|--------|--------------------|-------------|
| I6  | ISSD6 |                      | BYGAP6 | DRAWN BY:<br>PEX   | DEPT. DP    |
|     |       |                      |        | CHECKED BY:<br>CSV | BLDG NO 0   |
|     |       |                      |        | MATERIAL:<br>MB40  | DWG LIS 1/2 |
| ISS | DATE  | DESCRIPTION OF ISSUE | BY APP |                    | 0           |

CARAD

TITLE  
MB40  
MOTOR\_BLOCK+DRUM

|                           |           |
|---------------------------|-----------|
| DRAWING NUMBER<br>SPMB40B |           |
| FILE NAME<br>SPMB40B      |           |
| SIZE: SZ                  | ISSUE: IS |
| SHT: SHT                  | -         |